

## 规格承认书

## Specification for approval

产品名称: **GBC 低压电木东欧保险丝 6x24mm**

**Product Type: DIN72581 Standard GBC Zinc Alloy Bakelite**

**6x24mm European Auto Fuse 32VDC 5A-40A For EU Automotive**

**Car Auto Blade Fuses**

**Ao littel Technology Co.Ltd.**

Bld. 16,Yanhe East Road,Xiangdong Village, Dongguan 523833,  
Guangdong,China

H.P.: 1371362419

Fax #:0769-89390418

QQ #: 3217998702

Email : eric.lye@aolittel.com

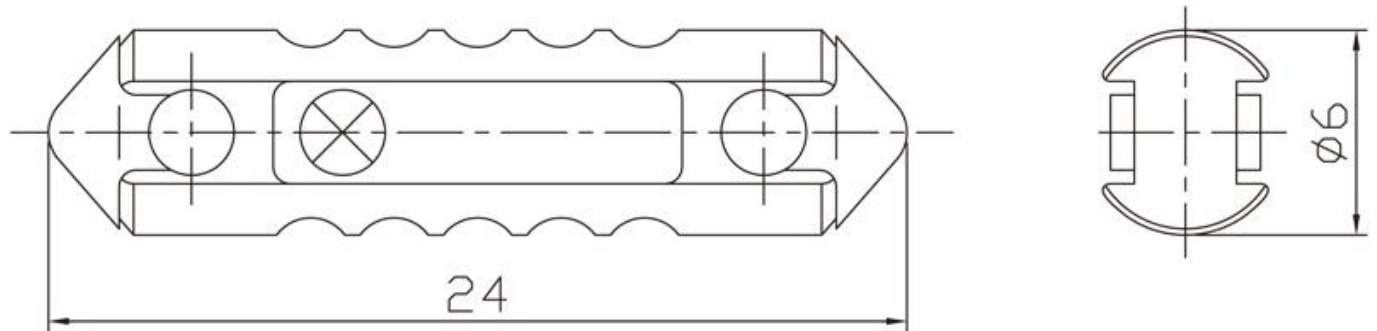
<http://www.passivemall.com/>

<http://www.aolittel.com/>

**1. Scope**

EUROPEAN AUTO FUSES BAKELITE AUTO FUSE .Normal Blow,Low Voltage .Material:Insulating Body:Bakelite  
Metal:Brass/Copper .Fuses Are Color-Coded For Easy Amperage Indentification .Standard:DIN 72581

**2. Dimension (mm)**



Normal Blow, Low Voltage	
Material	insulating
Body	bakelite
Metal	Brass/Copper
Fuses are color-coded for easy Ampere Indentification	

**3. Time-Current Characteristics**

In	1.5In	2.5In
5-40A	Min.	Max.
	1 Hours	60 s



**4. Electrical Performances**

Part Number	Ampere (A)	Voltage VDC	Body Color
GBC-5	5A	32V	Yellow
GBC-8	8A	32V	White
GBC-16	16A	32V	Red
GBC-20	20A	32V	Ivory
GBC-25	25A	32V	Blue
GBC-30	30A	32V	Green
GBC-40	40A	32V	Black

5. Time-Current Characteristics

